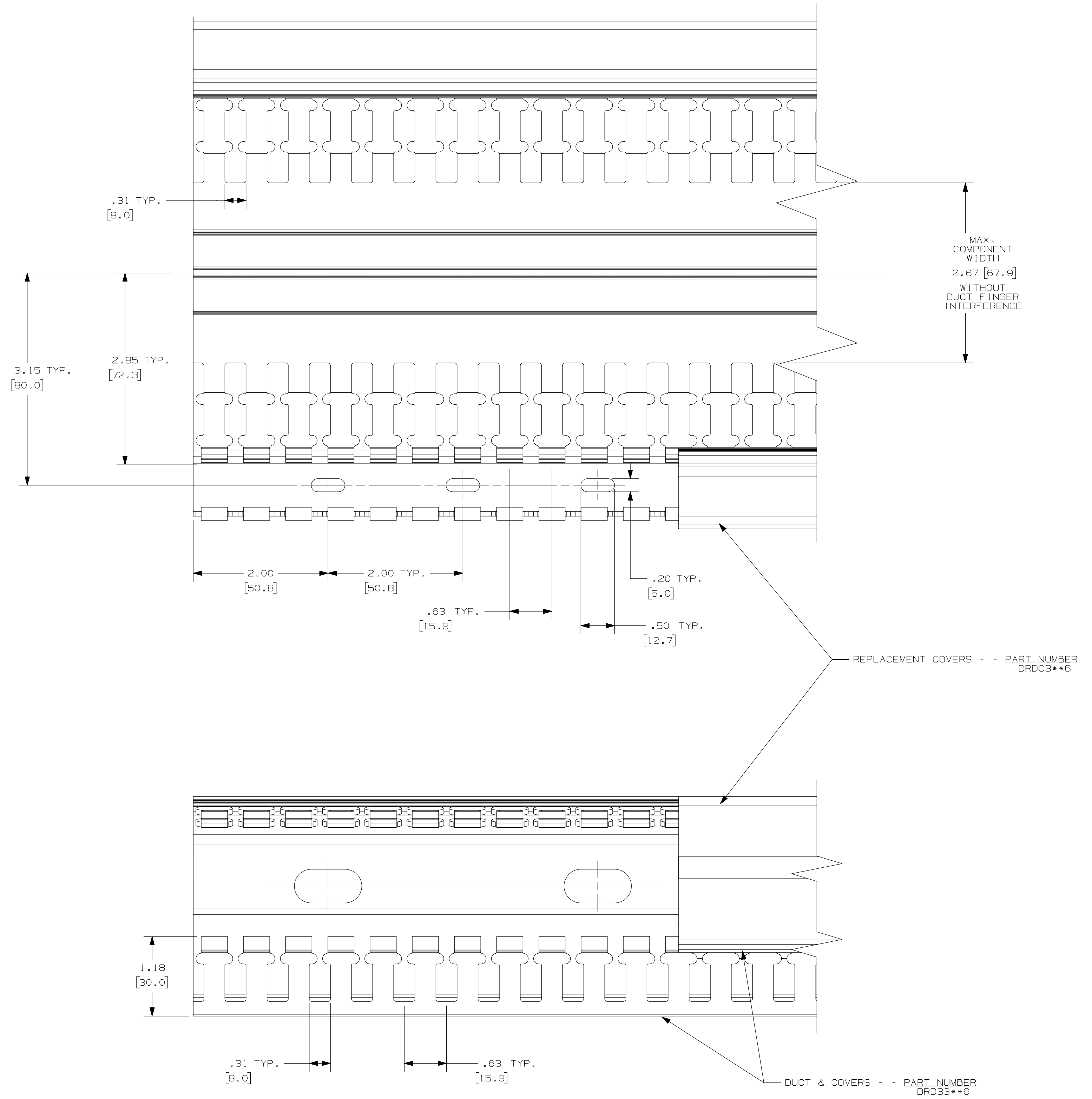
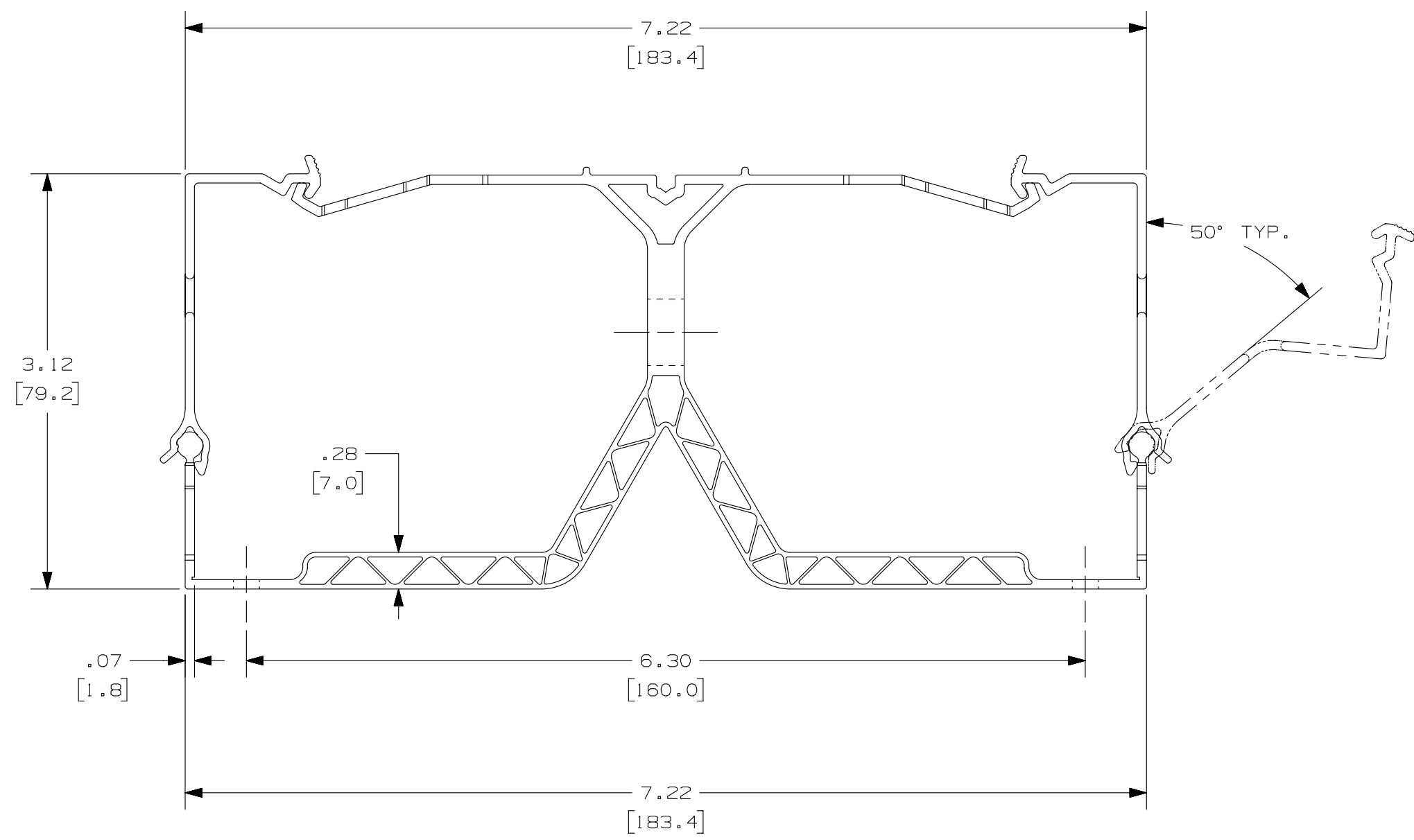


NOTE:

1. ALL DIMENSIONS ARE REFERENCE ONLY.
2. DIMENSIONS IN PARENTHESES ARE METRIC.
3. THE ** DENOTE COLOR.
4. DUCT AND COVER ARE AVAILABLE IN 6 FT (1828.6) LENGTH.
5. PANDUIT DRDSF PLASTIC SCREW FASTENERS INCLUDED TO FASTEN USER SUPPLIED DIN RAIL TO DRD BASE.
6. LOCATING RIBS COMPATIBLE WITH 15 OR 35 mm DIN RAIL.



REV	DATE	BY	CHK	APR	DESCRIPTION	ECN
5	08.03.14	BDK	MRJS	JADE	J. DRAWING REVISION 4 ITEM G SHOULD STATE "UPDATED PROFILE TO NEW DESIGN"	36897-1250

ITEM REVISION NAME D11000VE/04		MARKETING DRAWING	
DATASET FILE NAME D11000VE_DC/048		MATERIAL PANDUIT	
UNLESS OTHERWISE SPECIFIED, DIMENSIONAL TOLERANCES ARE: (IN 1 mm)		PVC	
.XX ±		XXX ±	
.XX ±		ANGLES ±	
THIRD ANGLE PROJECTION		DRAWING NUMBER 36897-1250	
DRAWN BY JCST	DATE 06-12-08	CHK MKBE	SCALE FULL
SHT 1 OF 1		SIZE D	